



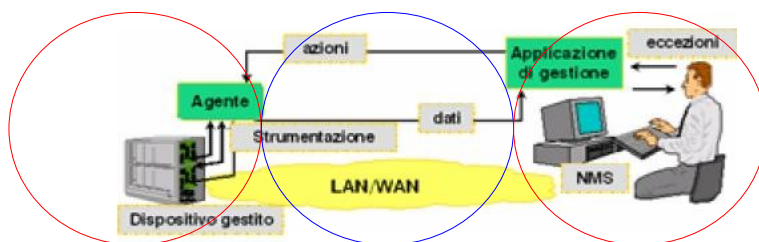
'iNet'

Remote Manageables InterNET Distributed Controls Systems

'iNet' is a Featured System Architecture based on our HARDWARE, FIRMWARE and SOFTWARE Products and Services.

Our 'iNet' PRODUCTS and SERVICES works on WIRED and WIRELESS InterNET communications channels and are all based on InterNET STANDARDS.

We use 'iNet' to DESIGN, DEVELOP, PROVIDE and MANTAIN Standard or Custom **InterNET Distributed Control Systems with Remote Management** based on WEB-APPLICATIONS.



Network Element(s) [Agent] InterNET Network element(s) Management System [NMS / Elements Manager]

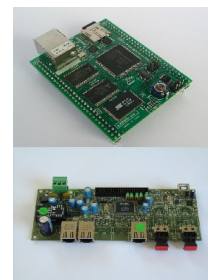
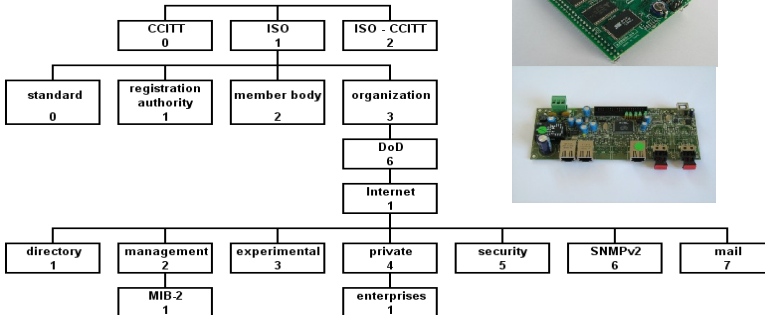
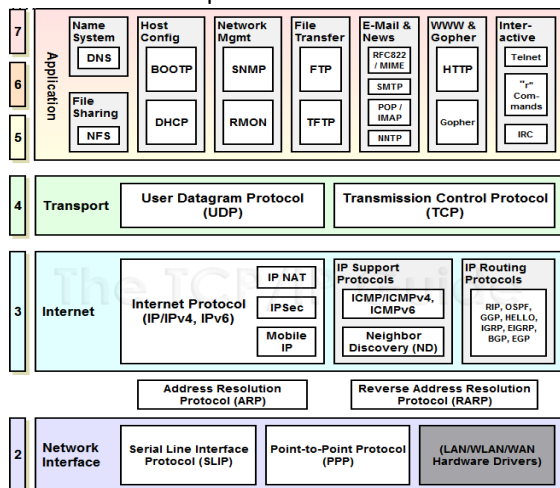
● **Our, in very short words, Network Element(s) HARDWARE**

- * interface digital and analog field variables
- * interface the InterNET communication channel(s)



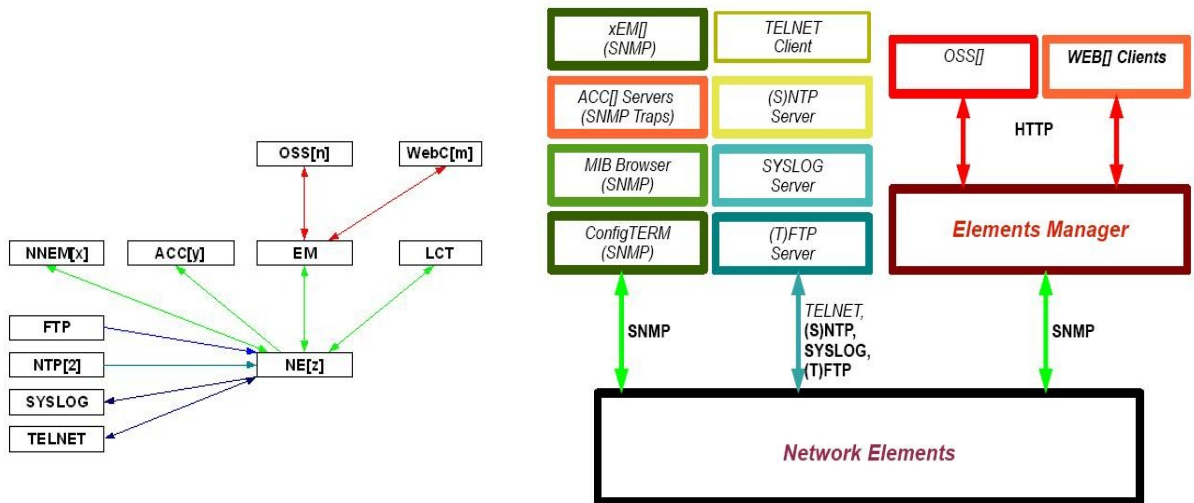
● **Our, in very short words, Network Element(s) FIRMWARE**

- * set and get digital and analog field variables based on programmed local behaviour
- * set and get digital and analog field variables based on remote commands
- * signal to Management SOFTWARE any status change of digital and analog field variables based on remote previously settings parameters
- * communicate with the Management SOFTWARE using InterNET standard SNMP communication protocol and with others Network SERVICES via FTP, NTP, SysLOG, TELNET, ...



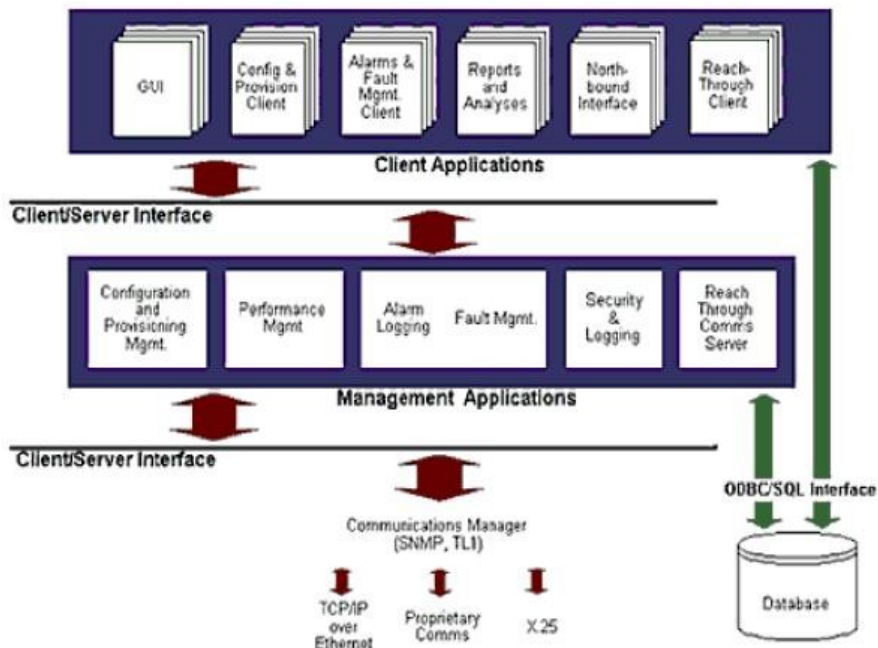


● **Our, in very short words, Remote Network Elements Management SOFTWARE**



- * set and get digital and analog field variables on remote Network Element(s) based on human commands or programmed behaviour
- * capture and manage any status change of digital and analog field variables of remote Network Element(s) based on human commands or programmed behaviour
- * communicate with all configured Network Element(s) and with other Network SERVICES using InterNET standard SNMP network management protocol
- * communicate with remote or local Human Operator(s) via standard communication protocols based on HTTP based on a Web-Application SERVER
- * communicate and integrate with OSS - Operations and Support Systems via standard communication protocols based on HTTP Web-Services

Internet Distributed Controls and Remote Management Systems ARCHITECTURE



For more in deep descriptions of our product and services and to discuss or evaluate your's requirements don't hexitate to contact us at info@electronicbricks.it